

Quantum Tunneling Radio Positioning System Achieves Higher Levels of Accuracy and Longer Range for Next-Generation Wireless Networks

Current radiolocation methods lack precision using standard positioning techniques

Radiolocation systems that can accurately orient people and objects are in high demand with the rapidly expanding Internet-of Things (IoT) and radio-frequency identification (RFID) industry. The precision of real-time positioning with standard technology is hindered by the multipath effect and fading, especially at the fringes of coverage. Frequency bandwidth, antenna gain, localization techniques, environmental factors, and the need for clear lines-of-sight (LOS) between tags and readers add to the challenges of accurately orienting beings and objects. A positioning system that is energy-efficient, long-range, low-cost, and low-error will enable new, versatile sensors for a greater variety of services and applications in next-generation wireless networks.

Radio positioning system pairs quantum tunneling tags (QTTs) with a proprietary reader for ultra-accurate localization

Georgia Tech's quantum tunneling radio position (QTRP) system uses the backscattering properties of received signal phase (RSP)-based QTTs. The system can operate in non-line-of-sight (NLoS) as well as line-of-sight (LOS) conditions to achieve longer range communications in outdoor and indoor applications. The system leverages a proprietary frequency hopping reader that bounces between multiple frequency channels at the 5.8 GHz band and can estimate channel characteristics of the received signal with reduced multipath effect for positioning. These advantages can lead to added functionality in multiple applications not attainable with other RFID positioning methods.

Summary Bullets

- This radiolocation system uses quantum tunneling tags (QTT) capable of operating in non-line-of-sight conditions to achieve longer range communications in outdoor and indoor applications.
- The use of QTTs, paired with a frequency hopping reader, results in positioning accuracy not achievable with standard methods.

- QTTs are inexpensive and operate under low power requirements to offer an affordable orientation system with long battery life.

Solution Advantages

- **Affordable:** QTTs are inexpensive, offering low-cost options for multiple positioning applications. Higher
- **Accurate:** The use of QTTs with RSP-based positioning techniques result in localization accuracy that is not achievable with standard methods.
- **Longer Range:** As a custom measurement system, the frequency-hopping reader supports real-time positioning without a clear LOS for longer range communications.
- **Energy Efficient:** This system offers longer battery life and greater energy efficiency through the use of QTTs, which have ultra-low power consumption.

Potential Commercial Applications

- Precise positioning of humans, animals, vehicles, and objects without a clear LOS for application in:
 - Traffic control
 - Inventory control
 - Rescue operations
 - Security operations
 - Contact tracing
 - Physical therapy
 - Athletics
 - Drone delivery
- Virtual reality experiences
- Autonomous vehicle navigation
- Internet of Things
- Smartphones

Inventors

- Cheng Qi
PhD Student - Georgia Tech School of Electrical and Computer Engineering
- Dr. Gregory Durgin
Assistant Professor - Georgia Tech School of Electrical and Computer Engineering
- Dr. Francesco Amato
Former Research Scholar and Instructor - Georgia Tech School of Electrical and Computer Engineering

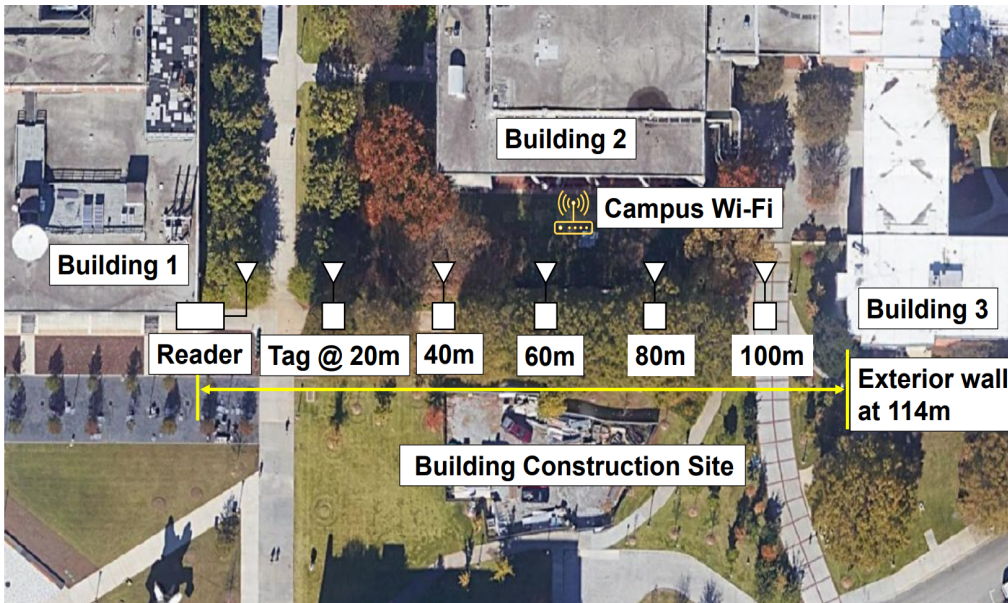
IP Status

<p>The following patent application has published</p>: US20220261608A1

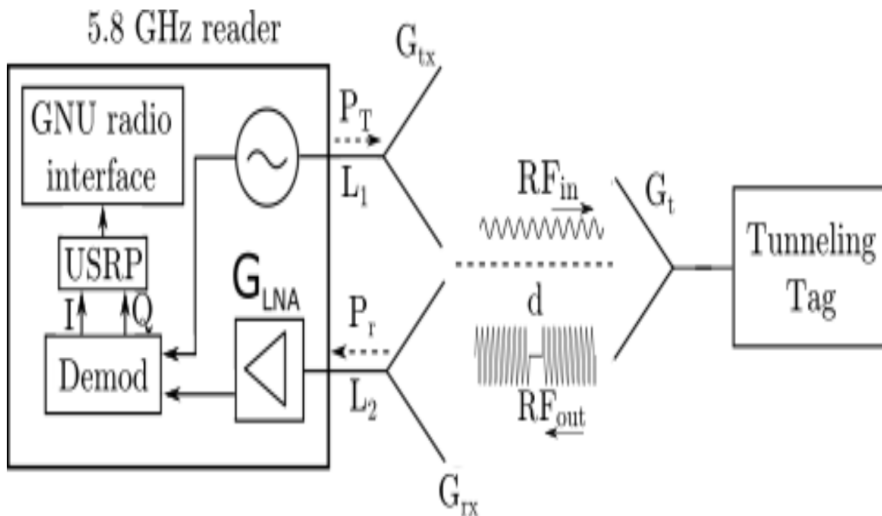
Publications

[A Backscatter Channel Sounder Using Tunneling RFID Tags](#), 2021 IEEE International Conference on RFID - April 27-29, 2021

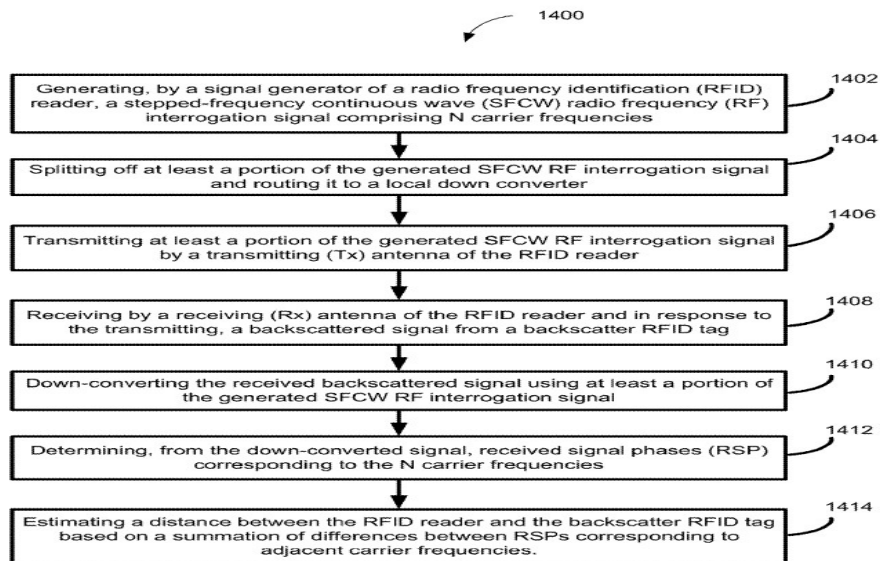
Images



Top view photograph illustrating an experimental arrangement for measuring distance to prove accurate ranging in a realistic environment at more than 100 meters.



Schematic example of an RFID reader interrogating and receiving a modulated signal from a QTT.



A flow chart of the method of radiolocation of the quantum tunneling radio position system.

Visit the Technology here:

[Quantum Tunneling Radio Positioning System Achieves Higher Levels of Accuracy and Longer Range for Next-Generation Wireless Networks](https://s3.sandbox.research.gatech.edu//index.php/print/pdf/node/4113)

<https://s3.sandbox.research.gatech.edu//index.php/print/pdf/node/4113>